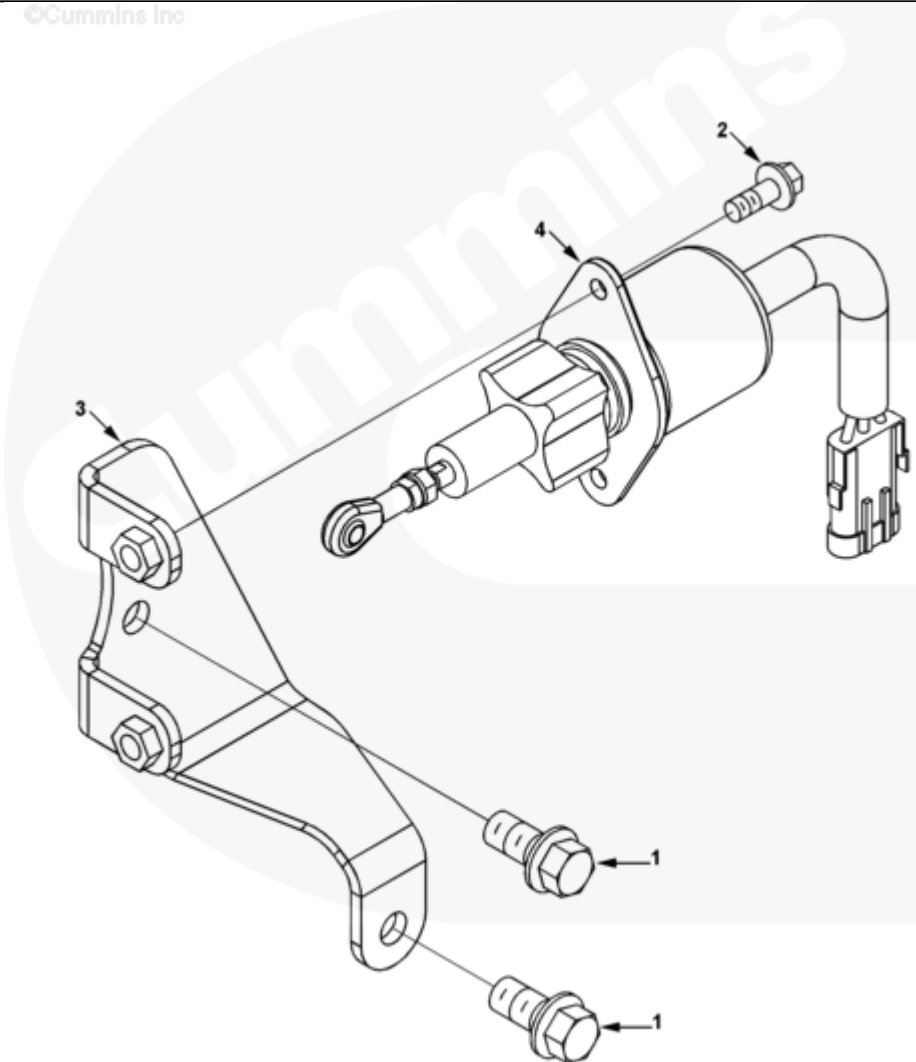




Parts Catalog - Option Detail

Electronic Parts Catalog - Option Detail				
Option	Group	Graphic	Film Card	Date
FV9087	05.06	fv953gu	Z	31-OCT-94
Engines	6C8.3, C GAS PLUS CM556, G8.3, G8.3 CM558, GTA8.3 CM558, ISC CM2150, ISC CM554, ISC CM850, ISC8.3 CM2250, ISC8.3 G CM2180 C101, ISL CM2150, ISL CM554, ISL CM850, ISL G CM2180, ISL8.9 CM2150 L110, ISL8.9 CM2880 L112, ISL9 CM2150 SN, ISL9 CM2250, ISL9 CM2350 L101, ISL9 CM2350 L111, ISLE4 CM850, L GAS PLUS CM556, L8.9, L8.9 L121, L8.9G CMOH2.0 L125B, L9 CM2350 L116B, L9 CM2350 L119B, L9 CM2350 L120C, L9 CM2350 L123B, L9.3 L105, L9.5 L117, L9N CM2380 L124B, QSC8.3 CM2250, QSC8.3 CM2880 C102, QSC8.3 CM554, QSC8.3 CM850(CM2850), QSL9 CM2250, QSL9 CM2250 L115, QSL9 CM2350 L102, QSL9 CM2350 L107, QSL9 CM2350 L118, QSL9 CM2350 L122, QSL9 CM554, QSL9 CM850(CM2850), QSL9 G CM558, QSL9 M CM2250 L106, QSL9.3 CM2880 L113			



fv953gu

[SMALL](#) | [MEDIUM](#) | [LARGE](#)

Cart	Ref No	Part Number	Part Description	Required	Remarks
View My Cart					
		FV9087	Fuel Valve Shut-Off		FUEL SHUTOFF VALVE...(More)
					Valve Activation: Electrical
					Voltage: 24
					Valve Manufacturer:
					Syncro-Start
					Shutoff Valve Supplier:
					Cummins
					Unique Characteristics:
					Direct lin fuel pump.
					Fuel Pump Manufactuer/Model:
					Bosch A
					Pump Governor Type:
					RSV
					Engine Family:
					C Series
					Solenoid to be oreinted with
					wiring pigtail a 6 o'clock
					position when mounted on
					engine.
<input type="checkbox"/>	1	3903990	Hexagon Flange Head Cap Screw	2	M10 X 1.50 X 20.
<input type="checkbox"/>	2	3913638	Hexagon Flange Head Cap Screw	2	M6 X 1.00 X 16.
<input type="checkbox"/>	3	3923254	Solenoid Bracket	1	
<input type="checkbox"/>	4	3928161	Fuel Pump Solenoid	1	